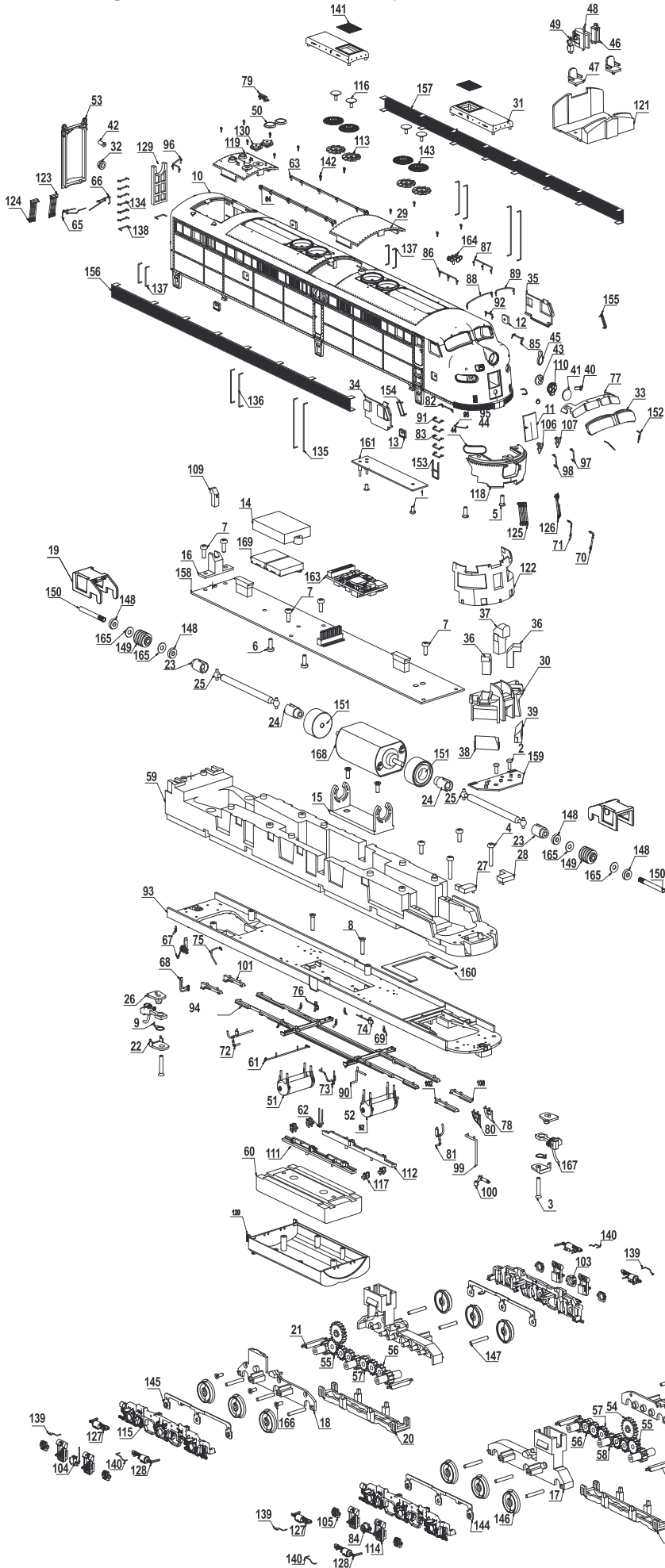


# RAPIDO EMD E8A PARTS DIAGRAM



57	28 07 04	4	114	28 18 02	8			
56	28-07-03	6	113	28-18-01	4			
55	28-07-02	2	112	28-17-16	1	169	SPEAK	2
54	28-07-01	2	111	28-17-15	1	168	MOTOR-185	1
53	28-06-09	1	110	28-17-09	1	167	COUPLER	2
52	28-06-07	1	109	28-16-07	1	166	KB1.4-4	6
51	28-06-06	1	108	28-15-17	1	165	JIEZI	4
50	28-06-05	2	107	28-15-08	1	164	GF-03-02	1
49	28-06-04	1	106	28-15-07	1	163	DECODER	1
48	28-06-03	1	105	28-15-06	9	162	28-SIDE-PART	1
47	28-06-02	2	104	28-15-04	1	161	28-PCB-07	1
46	28-06-01	1	103	28-15-03	1	160	28-PCB-04	1
45	28-05-17	1	102	28-15-02	1	159	28-PCB-03	1
44	28-05-15	1	101	28-15-01	2	158	28-PCB-01	1
43	28-05-14	1	100	28-14-20	1	157	28-MT034	1
42	28-05-13	1	99	28-14-19	1	156	28-MT033	1
41	28-05-12	1	98	28-14-13	1	155	28-MT028	1
40	28-05-11	2	97	28-14-12	1	154	28-MT027	1
39	28-05-10	1	96	28-14-05	1	153	28-MT024	1
38	28-05-09	1	95	28-14-03	2	152	28-MT023	2
37	28-05-07	1	94	28-13-02	1	151	28-MT017	2
36	28-05-06	2	93	28-13-01	1	150	28-MT016	2
35	28-05-05	1	92	28-11-23	1	149	28-MT015	2
34	28-05-04	1	91	28-11-18	1	148	28-MT014	4
33	28-05-03	1	90	28-11-17	1	147	28-MT013	12
32	28-05-01	1	89	28-11-16	1	146	28-MT012	12
31	28-04-05	2	88	28-11-15	1	145	28-MT011	2
30	28-04-04	1	87	28-11-14	1	144	28-MT010	2
29	28-04-01	1	86	28-11-13	1	143	28-MT008	4
28	28-03-16	1	85	28-11-10	1	142	28-MT007	12
27	28-03-15	1	84	28-11-08	1	141	28-MT002	2
26	28-03-13	2	83	28-11-06	4	140	28-M010	4
25	28-03-12	2	82	28-11-04	1	139	28-M009	4
24	28-03-11	2	81	28-11-01	1	138	28-M007	2
23	28-03-10	2	80	28-10-17	1	137	28-M006	4
22	28-03-09	2	79	28-10-13	1	136	28-M005	4
21	28-03-08	4	78	28-10-10	1	135	28-M004	4
20	28-03-07	2	77	28-10-09	1	134	28-M001	6
19	28 03 06	2	76	28-09-18	1	133	28-FANCE-V1	1
18	28-03-05	2	75	28-09-17	1	132	28-FAN-V1	1
17	28-03-04	2	74	28-09-16	1	131	28-22-09	2
16	28-03-03	1	73	28-09-15	1	130	28-21-06	2
15	28-03-02	1	72	28-09-14	1	129	28-21-03	1
14	28-03-01	1	71	28-09-13	1	128	28-21-02	4
13	28-02-17	1	70	28-09-12	1	127	28-21-01	4
12	28-02-14	1	69	28-09-10	5	126	28-20-05	1
11	28-02-13	1	68	28-09-09	1	125	28-20-04	1
10	28-01-05	1	67	28-09-08	1	124	28-20-03	1
9	220R-MT008	2	66	28-09-07	1	123	28-20-02	1
8	1.7X8KB	2	65	28-09-06	1	122	28-19-08	1
7	1.7X5PM	5	64	28-09-04	1	121	28-19-07	1
6	1.7X5PB	4	63	28-09-03	1	120	28-19-06	1
5	1.7X5KB	4	62	28-09-02	1	119	28-19-04	1
4	1.7X10PB	2	61	28-09-01	1	118	28-19-01	1
3	1.7X10KB	2	60	28-08-02	1	117	28-18-09	4
2	1.4X4PM	2	59	28-08-01	1	116	28-18-06	4
1	1.4X2.5PM	2	58	28-07-05	6	115	28-18-03	4
PC NO	PART NAME	QTY	PC NO	PART NAME	QTY	PC NO	PART-NAME	QTY

This diagram shows common components. For roadname-specific diagrams please go to our web site: [rapidotrains.com/product-listing](http://rapidotrains.com/product-listing)

To request parts fill out a request on our web site: [rapidotrains.com/contact](http://rapidotrains.com/contact) or you can reach us at the numbers below.

Tel. (905) 474-3314  
Toll Free 1-855-LRC-6917  
Fax. (905) 474-3325  
Email. [trains@rapidotrains.com](mailto:trains@rapidotrains.com)



CANADA: 500 ALDEN ROAD, UNIT 21 • MARKHAM, ONTARIO • L3R 5H5  
USA: PO BOX 796 • HIGGANUM • CONNECTICUT • 06441  
Tel. 1-855-LRC-6917 • Fax. 1-905-474-3325 • Email. [trains@rapidotrains.com](mailto:trains@rapidotrains.com)

**RAPIDO**